

EVT 6 LIN LOPLER TANK

DESIGN FOR EVT SERIES

- The **EVT LIN LOPLER TANK** is an EVT series vertical cryogenic storage tank optimized for liquid nitrogen storage at low working pressure (max 8 bar.g).

- **LIN LOPLER** = liquid nitrogen low operation pressure & low evaporation rate EVT6.

Field of applications can be increased in case of interest.

- The **EVT 6 LIN LOPLER** has superior thermal performance because of its increased multilayer insulation.

This cryogenic vertical storage tank has vacuum insulated liquid withdrawal line as standard and does not have bottom fill line, so the heat leak into the fluid is minimal.

- **Main benefits:**

low working pressure means:

- (1) low nitrogen losses
- (2) sufficient withdrawal rates for most nitrogen applications.



Innovation. Experience. Performance.

Chart Ferox, a.s., a Chart Industries Company

Chart Ferox, a.s. • Ústecká 30 • CZ-405 30 Děčín • Czech Republic • ph/ +420-412-507 343 • fx/ +420-412-507 297

Chart Ferox GmbH • Brosshauser Straße 20 • D-42697 Solingen • Germany • ph/ +49-(0)212-2 33 67-0 • fx/ +49-(0)212-2 33 67-10

Email: ferox-sales@chart-ind.com • Internet: <http://www.chart-ferox.com>

99090022E-0210 © 2007, Chart Ferox, a.s., a Chart Industries Company, All Rights Reserved

EVT 6 LIN LOPLER TANK

DESIGN FOR EVT SERIES

Specifications

TYPE		EVT 6	
Gross volume	liters	6100	
Net capacity (95 % filling) ¹⁾	liters	5800	
	LIN ²⁾	kg	4660
Daily evaporation rate LOX ²⁾	%/d	0,22	
Weight, empty	19 barg	kg	3370
Diameter (D)	mm	1600	
Overall width (A)	mm	1850	
Overall depth (B)	mm	1750	
Height (H)	mm	5680	

1) Filling 95% (equilibrium state at 0 barg)

2) Nominal Evaporation Rate per 24 hours according EN12213.

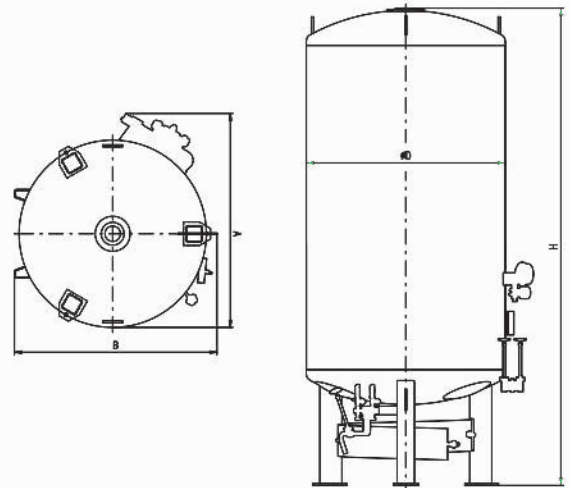
PRESSURE (barg)	LIQUID WITHDRAWAL (kg/h)
1	704
2	473
3	355
4	283
5	234
6	200
7	173
8	153

Fluid: Nitrogen

Runnig time: 24 hrs

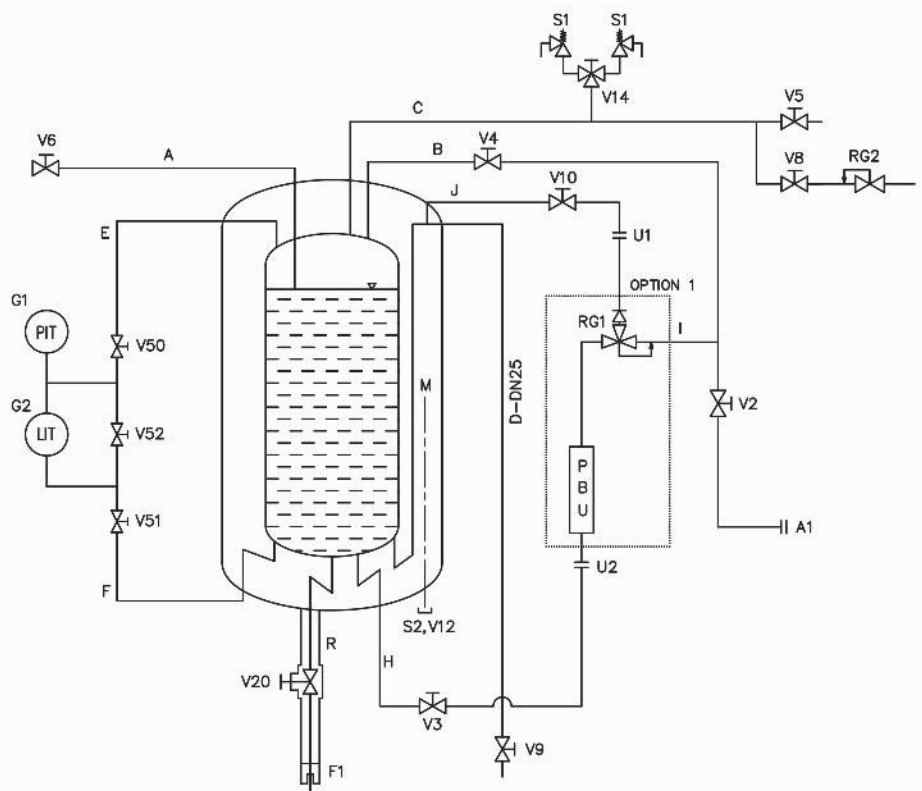
Vaporizer PBU: 1,66 m²

BASIC DIMENSIONS



Nomenclature

- A1** Fill Connection (Flange)
- F1** Bayonet Female
- LIT** Lever Indicator + Transmitter
- PIT** Pressure Gauge + Transmitter
- PBU** Pressure Build-up Vaporizer (Option)
- RG1** Pressure Control Valve, Economizer (Option)
- S1** Safety Valve, Inner Vessel
- S2** Vacuum Safety Device
- S5** Thermal Relief Valve
- V2** Valve, Top Fill
- V4** Valve, Top Fill
- V3** Valve, PBU Feed
- V5** Valve, Gas Outlet
- V6** Valve, Vent
- V8** Valve, Trycock
- V9** Valve, External Vaporizer
- V10** Valve, Economizer
- V12** Vacuum pump down
- V20** Valve, Vacuum Insulated



Innovation. Experience. Performance.

Chart Ferox, a.s., a Chart Industries Company

Chart Ferox, a.s. • Ústecká 30 • CZ-405 30 Děčín • Czech Republic • ph/ +420-412-507 343 • fx/ +420-412-507 297

Chart Ferox GmbH • Brosshauser Straße 20 • D-42697 Solingen • Germany • ph/ +49-(0)212-2 33 67-0 • fx/ +49-(0)212-2 33 67-10

Email: ferox-sales@chart-ind.com • Internet: <http://www.chart-ferox.com>

99090022E-0210 © 2007, Chart Ferox, a.s., a Chart Industries Company, All Rights Reserved