

COMPACT STATION

DESIGNED FOR EVT SERIES

Compact station

Liquid industrial gas vaporizing station consisting from:

- a cryogenic tank
- vaporizer
- outlet regulator as option

Delivered as complete and approved assembly.

Product vaporizer mounted directly on the jacket of the tank.

Main benefits :

- space saving design
- all-aluminium design (corrosion resistant, low weight)
- replaces stand-alone vaporizer delivered as PED approved assembly from the workshop
- easy to install (three anchoring bolts and a withdrawal connection)
- easy to approve on site
- sufficient withdrawal rates for most applications
- vaporizer can be easily dismantled for the tank jacket maintenance



Innovation. Experience. Performance. ,

Chart Ferox, a.s., a Chart Industries Company

Chart Ferox, a.s. • Ústecká 30 • CZ-405 30 Děčín • Czech Republic • ph/ +420-412-507 343 • fx/ +420-412-507 297
Chart Ferox GmbH • Brosshauser Straße 20 • D-42697 Solingen • Germany • ph/ +49-(0)212-2 33 67-0 • fx/ +49-(0)212-2 33 67-10
Email: ferox-sales@chart-ind.com • Internet: <http://www.chart-ferox.com>
00060034E-0707 © 2007, Chart Ferox, a.s., a Chart Industries Company. All Rights Reserved

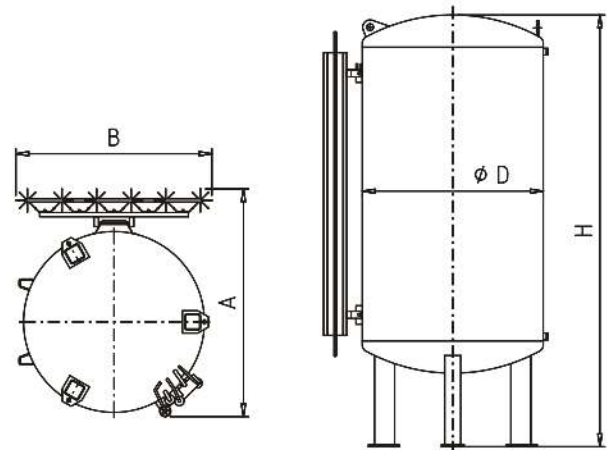
COMPACT STATION

DESIGNED FOR EVT SERIES

Specifications

TYPE		EVT 3 CS	EVT 6 CS
Gross volume	liters	3400	6100
Net capacity (95 % filling)	liters	3200	5800
	LIN ³⁾	kg	2600
	LOX ³⁾	kg	3670
	LAR ³⁾	kg	4520
	LCO2 ²⁾	kg	3550
	LN2O ²⁾	kg	3400
Daily evaporation rate LOX ³⁾	%/d	0,31	0,23
Max. withdrawal rate	LOX	Nm ³ /h	73
	LIN	Nm ³ /h	77
	LAR	Nm ³ /h	97
Max. withdrawal rate LCO2 ⁴⁾	kg/h		57
Weight, empty	19 barg	kg	2350
	26 barg	kg	2570
	37 barg	kg	2820
Diameter (D)	mm	1600	
Overall width (A)	mm	2230	
Overall depth (B)	mm	1750	
Height (H)	mm	3850	5680

BASIC DIMENSIONS



1) Filling 95% (equilibrium state at 0 barg)

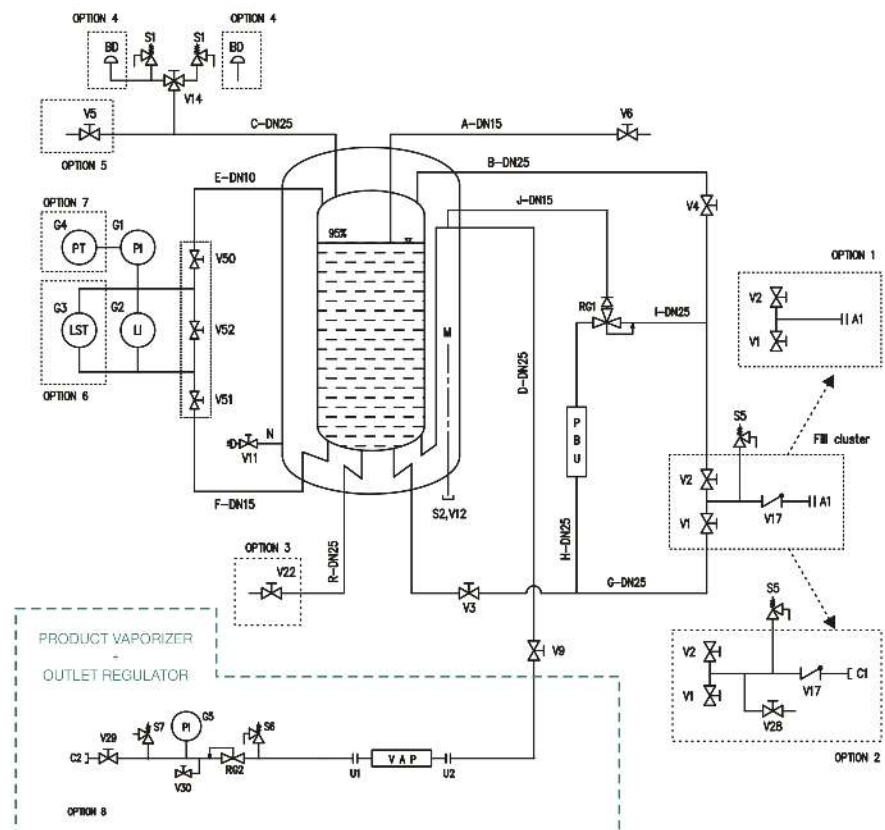
2) Filling 95% (equilibrium state at 10 barg). If the tank specification states a different filling, the net volume changes proportionally

3) Nominal Evaporation Rate per 24 hours according EN 12213

4) Stated rates are at 20 °C, 75% RH, 15 bar pressure, 10 °C temperature approach, and 8 hours service

Nomenclature

A1, C1	Fill connection, part of fill cluster
BD	Bursting discs
C2	Connection, gas outlet
G5	Pressure gauge
LI	Level indicator
LST	Differential pressure transmitter
PBU	Pressure building vaporizer
PI	Pressure indicator
PT	Pressure transmitter
RG1	Pressure control valve / Economizer
RG2	Pressure regulator
S1, S6, S7	Safety valve
S2	Vacuum safety valve
S5	Thermal relief valve, part of fill cluster
U1, U2	Union
V1	Bottom fill valve, part of fill cluster
V2	Top fill valve, part of fill cluster
V3, V4	Isolation valve
V5	Valve, vapor vent, gas outlet
V6	Valve, trycock
V9	Valve, vaporizer
V11	Vacuum gauge
V12	Vacuum pump down
V14	Diverter valve
V17	Check valve, part of fill cluster
V22	Valve, liquid outlet
V28	Fill line drain, part of fill cluster
V29	Globe valve
V30	Needle valve
VAP	Product vaporizer



Innovation. Experience. Performance. ,

Chart Ferox, a.s., a Chart Industries Company

Chart Ferox, a.s. • Ústecká 30 • CZ-405 30 Děčín • Czech Republic • ph/ +420-412-507 343 • fx/ +420-412-507 297
 Chart Ferox GmbH • Broshhauser Straße 20 • D-42697 Solingen • Germany • ph/ +49-(0)212-2 33 67-0 • fx/ +49-(0)212-2 33 67-10
 Email: ferox-sales@chart-ind.com • Internet: <http://www.chart-ferox.com>
 00060034E-0707 © 2007, Chart Ferox, a.s., a Chart Industries Company, All Rights Reserved