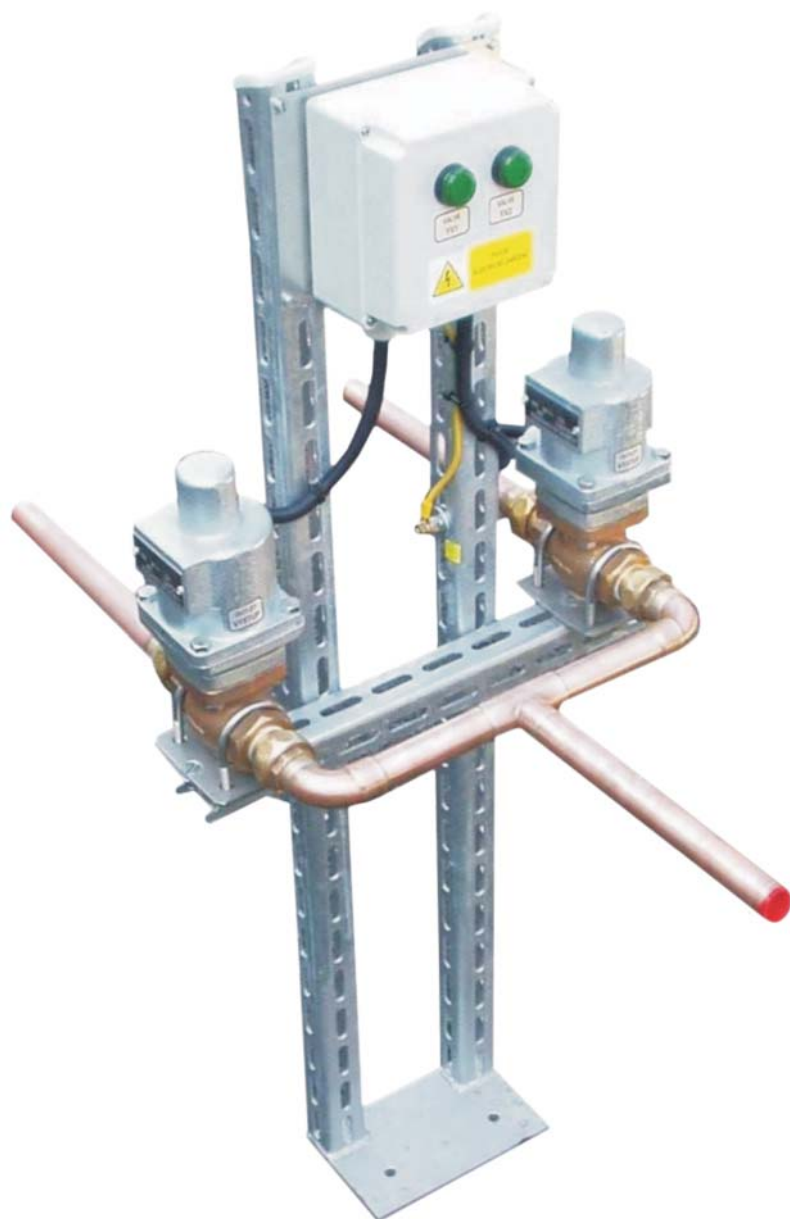


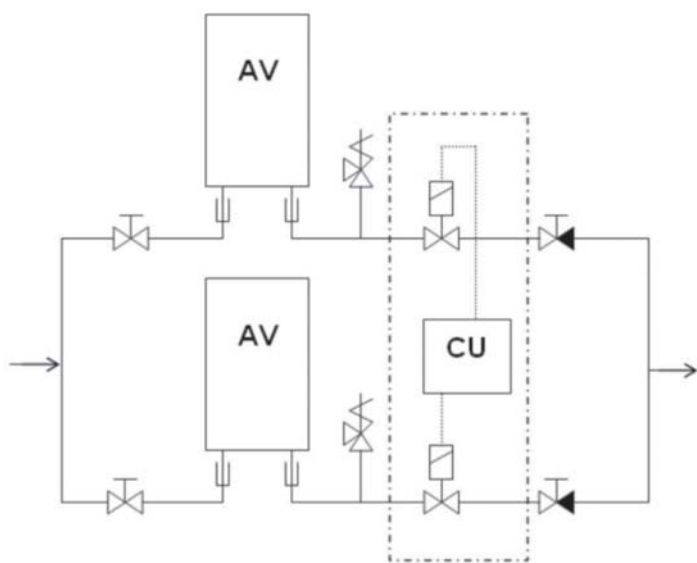
SWITCHING KIT DN25

- Automatic switching unit for reliable and continuous ambient vaporizer operation.
- The automatic switching unit directs the cryogenic gas flow alternately to either of the pair of ambient vaporizers, and thus enables the off-stream vaporizer defrosting.
- The switching is time controlled with the period operator selectable within a range of 1 to 24 hours.
- The gas passage is blocked by means of electrical solenoid valves (normally open).
- The switching unit can be placed either on liquid or gas side of the vaporizers.



Parameters

Nominal diameter	DN25
Nominal pressure	PN25
Operating temperature	-196 °C to +50 °C
Connections	M40x2 (std.)
Electrical Supply	230 V / 50 Hz
Dimensions	approx. 450 x 250 x 1000
Weight	approx. 25 kg
Capacity	up to 1500 Nm ³ /hr liquid up to 300 Nm ³ /hr gas



- As a standard the unit is delivered with two separate inlets and one common outlet as shown in the photo above.
- Alternatively there can be two separate outlets as shown on typical P&FD on the left.



Innovation. Experience. Performance. ®

Chart Ferox, a.s., a Chart Industries Company

Chart Ferox, a.s. • Ústecká 30 • CZ-405 30 Děčín • Czech Republic • ph/ +420-412-507 349 • fx/ +420-412-507 297
 Chart Ferox GmbH • Brosshäuser Straße 20 • D-42697 Solingen • Germany • ph/ +49-(0)212-2 33 67-0 • fx/ +49-(0)212-2 33 67-10
 Email: ferox-sales@chart-ind.com • Internet: <http://www.chart-ferox.com>
 99090022E-0904 © 2006, Chart Ferox, a.s., a Chart Industries Company, All Rights Reserved