

EURO-CYL ZX

High Pressure
High Flow

The optimum gas supply system for laser and other high pressure applications

Easy to Use

- European ready
... TPED coded
- Holds as much gas as
54 high pressure cylinders
- Automatically optimizes
operating pressure and
gas use
- All valves and instruments
within easy reach and visibility
- Full pallet frame for easy manipulation

Superior Performance

- Pressures up to 37 bar
Continuous gas flow rate up to
80 Nm³/h at 30 bar
- High performance pressure
building system
- Large integrated vaporizer
creates high flow of gas

Cost Effective

- Long holding time and low
normal evaporation rates using
super-insulation technology
- All stainless steel construction
and patented inner support
system for durability and long life
- Uses up to 65% less space
than comparable high pressure
cylinder bundles or pallets



5-year
vacuum
warranty



Innovation. Experience. Performance.

Chart Ferox, a.s., a Chart Industries Company

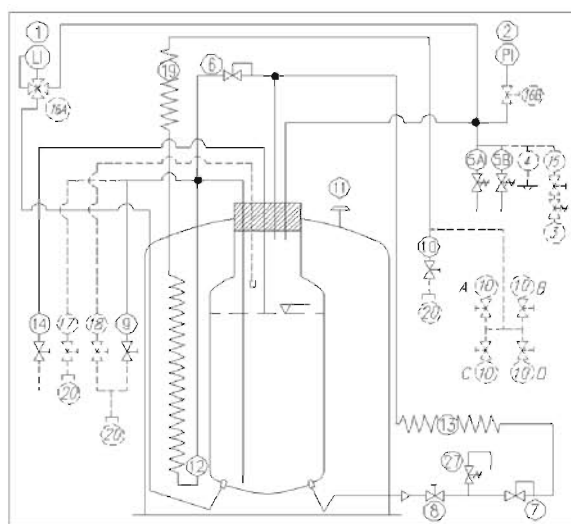
Chart Ferox, a.s. • Ústecká 30 • CZ-405 30 Děčín • Czech Republic • ph/ +420-412-507 343 • fx/ +420-412-507 297
Chart Ferox GmbH • Brosshauser Straße 20 • D-42697 Solingen • Germany • ph/ +49-(0)212-2 33 67-0 • fx/ +49-(0)212-2 33 67-10
Email: ferox-sales@chart-ld.com • Internet: <http://www.chart-ferox.com>
02100064E-1209 © 2009, Chart Ferox, a.s., a Chart Industries Company, All Rights Reserved

EURO-CYL ZX

Specifications

| Model | | 600/37 ZX | 800/37 ZX |
|---|-----------------------|--------------------|--------------------|
| Capacity | | | |
| Liquid (gross) | (liters) | 649 | 800 |
| Liquid (net) | (liters) | 616 | 760 |
| Gas (N ₂)* | (Nm ³) | 397 | 491 |
| Gas (O ₂)* | (Nm ³) | 492 | 607 |
| Gas (Ar)* | (Nm ³) | 481 | 595 |
| Gas (CO ₂)* | (Nm ³) | 350 | 432 |
| Gas (N ₂ O)* | (Nm ³) | 339 | 419 |
| Performance | | | |
| NER** (N ₂) | (% per day) | 1,6 | 1,5 |
| Gas Flow (N ₂ , O ₂ , Ar) | (Nm ³ /hr) | 70 | 80 |
| Gas Flow (CO ₂ or N ₂ O) | (Nm ³ /hr) | 21 | 24 |
| Relief Valve Setting | (bar) | 37 | 37 |
| Code | | TPED | TPED |
| Dimensions | | | |
| Tank Diameter | (mm) | 965 | 965 |
| Overall Dimensions (LxWxH) | (mm) | 1360 x 1140 x 2000 | 1360 x 1140 x 2200 |
| Tare Weight | (kg) | 936 | 1060 |
| Maximum Full Weight | | | |
| | N ₂ | (kg) | 1434 |
| | O ₂ | (kg) | 1639 |
| | Ar | (kg) | 1823 |
| | CO ₂ | (kg) | 1624 |
| | N ₂ O | (kg) | 1602 |

* At saturated pressure 0 bar for O₂, N₂, Ar and 10 bar pressure for CO₂ and N₂O
 ** NER: Nominal Evaporation Rate



No. Nomenclature

- 1 Liquid Level Gauge
- 2 Pressure Gauge
- 3 Low Pressure Relief Valve (optional)
- 4 Burst Disc (optional)
- 5 Safety Relief Valve
- 6 Economizer
- 7 Regulator
- 8 Regulator Isolation Valve
- 9 Bottom Fill / Liquid Withdrawal
- 10 A-C HP Cylinder Valves Manifold (optional)
- 11 Vacuum Port / Safety Disc
- 12 Product Vaporizer
- 13 Pressure Building Coil
- 14 Vent / Trycock Valve
- 15 Low Pressure Isol. Valve (optional)
- 16 Gauge Isolation Valve (optional)
- 17 Add. Liquid Withdrawal (optional)
- 18 Top Fill (optional)
- 19 Additional Product Vaporizer
- 20 Connection (optional)
- 27 Thermal Relief Valve



Innovation. Experience. Performance.

Chart Ferox, a.s., a Chart Industries Company

Chart Ferox, a.s. • Ústecká 30 • CZ-405 30 Děčín • Czech Republic • ph/ +420-412-507 343 • fx/ +420-412-507 297
 Chart Ferox GmbH • Broshhauser Straße 20 • D-42697 Solingen • Germany • ph/ +49-(0)212-2 33 67-0 • fx/ +49-(0)212-2 33 67-10
 Email: ferox-sales@chart-ld.com • Internet: <http://www.chart-ferox.com>
 02100064E-1209 © 2009, Chart Ferox, a.s., a Chart Industries Company, All Rights Reserved