

### The all-purpose gas transport, storage and supply vessels for laboratories, hospitals, universities and other low-pressure liquid users

#### Easy to Use

- Ideal for transport, storage and dispensing of cryogenic liquids
- Easy to maneuver caster bases on many models
- All valves and instruments within easy reach and visibility
- Stable center of gravity

#### Superior Performance

- Low evaporation rate and high durability
- Optional pressure building system for high or continuous withdrawal rates
- Extended-stem liquid valve to reduce ice formation

#### Cost Effective

- Super-insulation for longer holding time, lower evaporation and lower operating costs
- All stainless steel vessels and patented inner support system for durability and long life



#### Five Convenient Sizes

- 50 Liters
- 120 Liters
- 180 Liters
- 230 Liters

#### Popular Options

- Casters-bases
- Fill / supply hoses
- Non-magnetic versions
- Pressure building kits

**5**-year  
vacuum  
warranty

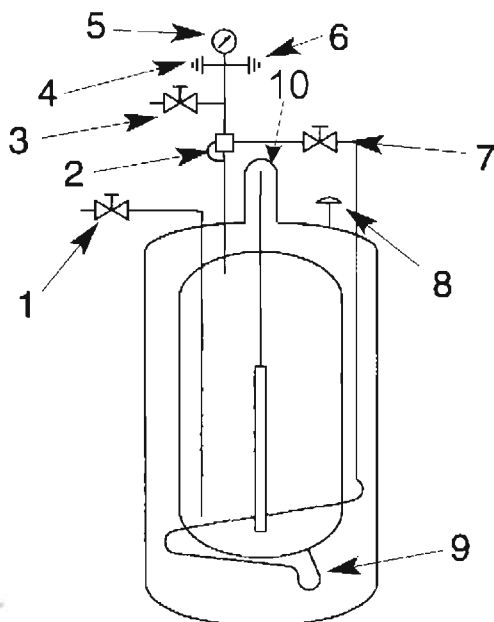
Model		50/1.5	120/4 SB	180/4	230/4 RB	230/4 SB
<b>Capacity</b>						
Liquid (gross)	(liters)	50	120	196	240	240
Liquid (net)	(liters)	48	114	186	228	228
<b>Performance</b>						
NER**** (N <sub>2</sub> )	(% per day)	4	2	1,9	1,8	1,8
NER (O <sub>2</sub> - AR)	(% per day)	N/A	1,4	1,3	1,2	1,2
Relief Valve Setting	(bar)	1,5	1,5 / 4**	1,5 / 4**	1,5 / 4**	1,5 / 4**
Code		TPED	TPED	TPED	TPED	TPED
<b>Dimensions</b>						
Tank Diameter	(mm)	406	508	508	660	660
Base Dimensions	(mm)	406	650 x 675	508	660	715 x 715
Type of Base		round	square	round	round	square
		caster-base	caster-base	footring	caster-base	caster-base
Tank Height	(mm)	901	1290	1613	1391	1391
Tank Empty Weight	(kg)	45	94	109	125	143
<b>Maximum Tank Full Weight***</b>						
N <sub>2</sub>	(kg)	82	186	259	309	327
O <sub>2</sub>	(kg)	N/A	224	321	385	403
Ar	(kg)	N/A	253	369	443	461

\* Subject to change without prior notice

\*\* Tanks supplied with 1,5 bar and 4 bar relief valves

\*\*\* Tank plus product at saturated pressure 0 bar for O<sub>2</sub>, N<sub>2</sub>, Ar

\*\*\*\* NER: Nominal Evaporation Rate



### No. Nomenclature

- 1 Liquid Fill & Withdrawal Valve
- 2 Pressure Building Regulator\*\*\*\*\*
- 3 Vent Valve
- 4 Relief Valve
- 5 Pressure Gauge
- 6 Relief Valve
- 7 Pressure Building Valve
- 8 Outer Vessel Burst Disc
- 9 Pressure Building Coil
- 10 Liquid Level Indicator  
(50 fitted with DP gauge)

\*\*\*\*\* Available option on 120, 180 and 230 models only