

The All-Purpose Gas Transport, Storage and Supply Vessels

Introducing the Euro-Cyl

- Ideal for transportable or stationary gas supply
- Easy to adjust pressure control
- Front-mounted valves and instruments within easy reach and visibility
- European Ready ... TPED coded

Superior Performance

- Rugged, maneuverable and fast filling
- Gas and/or liquid withdrawal
- Continuous flow rates from 16 Nm³/h to 42 Nm³/h
- Automatically optimizes operating pressure and reduces losses

Cost Effective

- Super-insulation provides long holding time and low nominal evaporation rate
- All stainless steel construction and inner support system for durability and long life
- Compact vertical design improves performance and space utilization
- Chart's combination regulators allow easy pressure adjustment using a built-in pressure scale



Four Convenient Sizes

- 450 Liters
- 600 Liters
- 800 Liters
- 1000 Liters

Popular Options

- Low pressure plumbing modification (1,7 bar, 4 bar and 15 bar)
- Top-Fill
- Add-on product vaporizer
- Gauge isolation valves
- Gas supply manifold

5-year
vacuum
warranty



Innovation. Experience. Performance.

Chart Ferox, a.s., a Chart Industries Company

Chart Ferox, a.s. • Ústecká 30 • CZ-405 30 Děčín • Czech Republic • ph/ +420-412-507 343 • fx/ +420-412-507 297
Chart Ferox GmbH • Broshhauser Straße 20 • D-42697 Solingen • Germany • ph/ +49-(0)212-2 33 67-0 • fx/ +49-(0)212-2 33 67-10
Email: ferox-sales@chart-ld.com • Internet: <http://www.chart-ferox.com>
99090022E-1209 © 2009, Chart Ferox, a.s., a Chart Industries Company, All Rights Reserved

EURO-CYL 450 to 1000 Liters

Specifications

Model		450/24	600/24	800/24	1000/24
Capacity					
Liquid (gross)	(liters)	448	659	897	996
Liquid (net)	(liters)	426	626	852	946
Gas (N ₂)*	(Nm ³)	275	404	550	611
Gas (O ₂)*	(Nm ³)	340	500	680	756
Gas (Ar)*	(Nm ³)	335	493	671	745
Gas (CO ₂)*	(Nm ³)	238	350	476	529
Gas (N ₂ O)*	(Nm ³)	227	333	453	505
Performance					
NER*** (N ₂)	(% per day)	1,8	1,6	1,5	1,5
Gas Flow (N ₂ , O ₂ , Ar) / with aux. Vaporizer	(Nm ³ /hr)	16 / 25	21 / 30	25 / 35	27,5 / 42
Gas Flow (CO ₂ or N ₂ O) / with aux. Vaporizer	(Nm ³ /hr)	6 / 9	7 / 10	8 / 11	9 / 12
Maximum Relief Valve Setting	(bar)	24	24	24	24
Code		TPED (EN1251)	TPED (EN1251)	TPED (EN1251)	TPED (EN1251)
Dimensions					
Tank Diameter	(mm)	813	965	1067	1067
Overall Frame Dimensions (LxWxH)	(mm)	880 x 880 x 1915	1030 x 1030 x 1915	1130 x 1130 x 2010	1130 x 1130 x 2165
Tare Weight (approx.)**	(kg)	615	755	980	1035
Maximum Full Weight (Tank plus Prod.; app.) w/**					
N ₂	(kg)	959	1260	1668	1799
O ₂	(kg)	1101	1469	1952	2115
Ar	(kg)	1213	1634	2177	2364
CO ₂	(kg)	1085	1446	1921	2080
N ₂ O	(kg)	1064	1416	1879	2033

* At 0 bar pressure for N₂, O₂, Ar and 10 bar pressure for CO₂ and N₂O

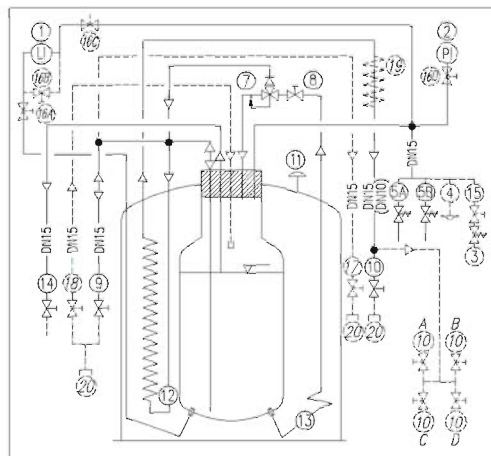
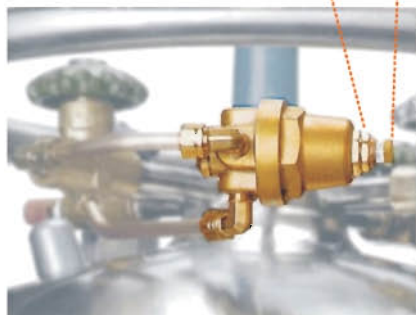
** Additional product vaporizer adds approx. 20 kg

*** NER: Nominal Evaporation Rate

Note: all models and specifications are conditional and subject to change without prior notice.

MCR Regulator

- Easily Adjustable
- Combination pressure control regulator
- Calibrated micrometer adjusting screw



No. Nomenclature

- 1 Liquid Level Gauge
- 2 Pressure Gauge
- 3 Low Pressure Relief Valve (optional)
- 4 Burst Disc (optional)
- 5 Safety Relief Valve/Regulator
- 8 Regulator Isolation Valve
- 9 Bottom Fill / Liquid Withdrawal
- 10 Gas Withdrawal (manifold optional)
- 11 Vacuum Port / Safety Disc
- 12 Product Vaporizer
- 13 Pressure Building Coil
- 14 Vent / Trycock Valve
- 15 Isolation Valve (optional)
- 16 Isolation Valve (optional)
- 17 Additional Liquid Withdrawal (optional)
- 18 Top Fill (optional)
- 19 Additional Product Vaporizer (optional)
- 20 Connection (optional)



Innovation. Experience. Performance.

Chart Ferox, a.s., a Chart Industries Company

Chart Ferox, a.s. • Ústecká 30 • CZ-405 30 Děčín • Czech Republic • ph/ +420-412-507 343 • fx/ +420-412-507 297

Chart Ferox GmbH • Broshhauser Straße 20 • D-42697 Solingen • Germany • ph/ +49-(0)212-2 33 67-0 • fx/ +49-(0)212-2 33 67-10

Email: ferox-sales@chart-ind.com • Internet: <http://www.chart-ferox.com>

99090022E-1209 © 2009, Chart Ferox, a.s., a Chart Industries Company, All Rights Reserved